

Radiator Cover Requirements

Order Form



Fill out the standard or bespoke tables with your requirements, being mindful of any electrical sockets, phone terminals, window sills and door frames.

For bespoke orders, add the additional mm as specified in the KEY below, to allow for cutting and bending.

KEY:	Unit	Allowance
A	Height	+100mm
B	Width	+100mm
C	Depth	+70mm
D	Valve Height (TRV)	-
E	Skirting Height	+10mm
F	Skirting Depth	+10mm

Standard Size Radiators Cover				
Style	A mm	B mm	C mm	QTY
Classic	900	1000	160	
Classic	900	1000	180	
Classic	900	1200	160	
Classic	900	1200	180	
Classic	900	1500	160	
Classic	900	1500	180	
Classic	900	1800	160	
Classic	900	1800	180	

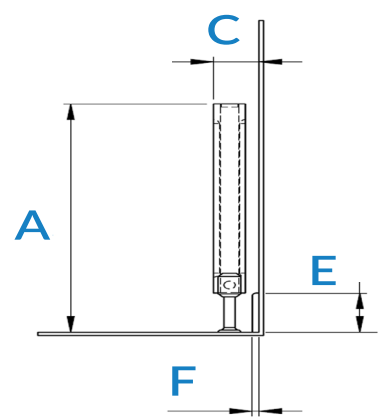
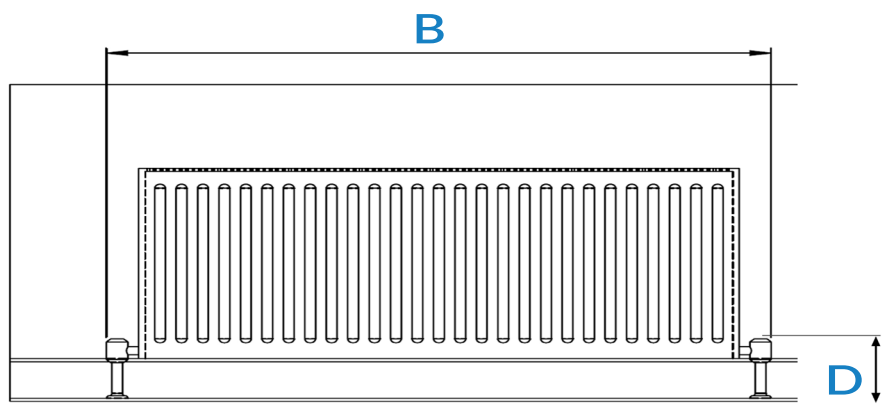
Bespoke Size Radiator Covers (Refer to the KEY and include additional allowance)

Cover type: Classic Gibson Sloped Top Other

(please tick accordingly)

(please contact our sales team to discuss your requirements)

Radiator Location / Identifier	A mm	B mm	C mm	Access? (Y/N)	Lockable? (Y/N)	Left/Right	D mm	Skirting? (Y/N)	E mm	F mm	Anti-ligature mesh installation? (Y/N)



Unsure about measurements or need extra support? Our team is here to help. Get in touch for expert advice.